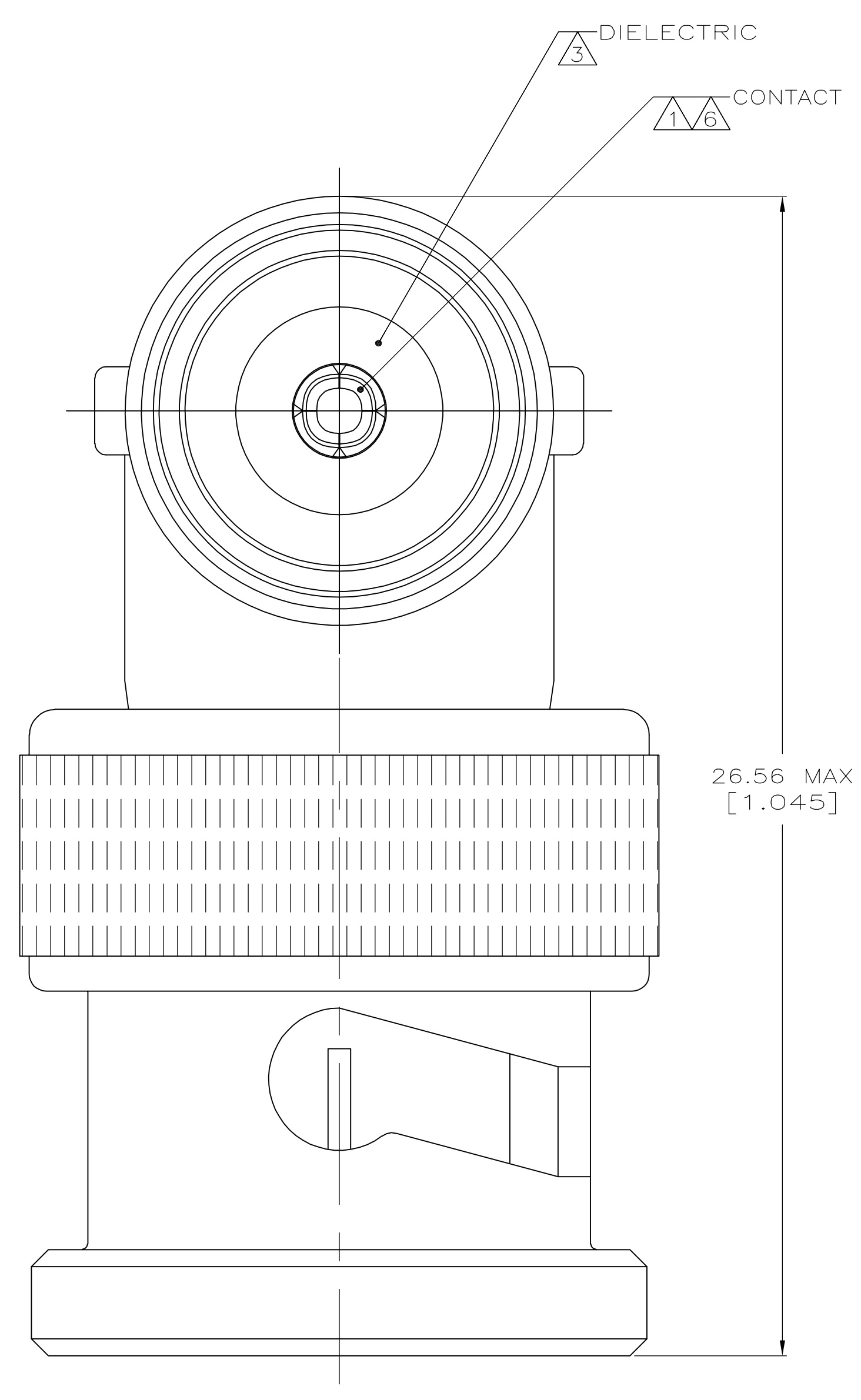
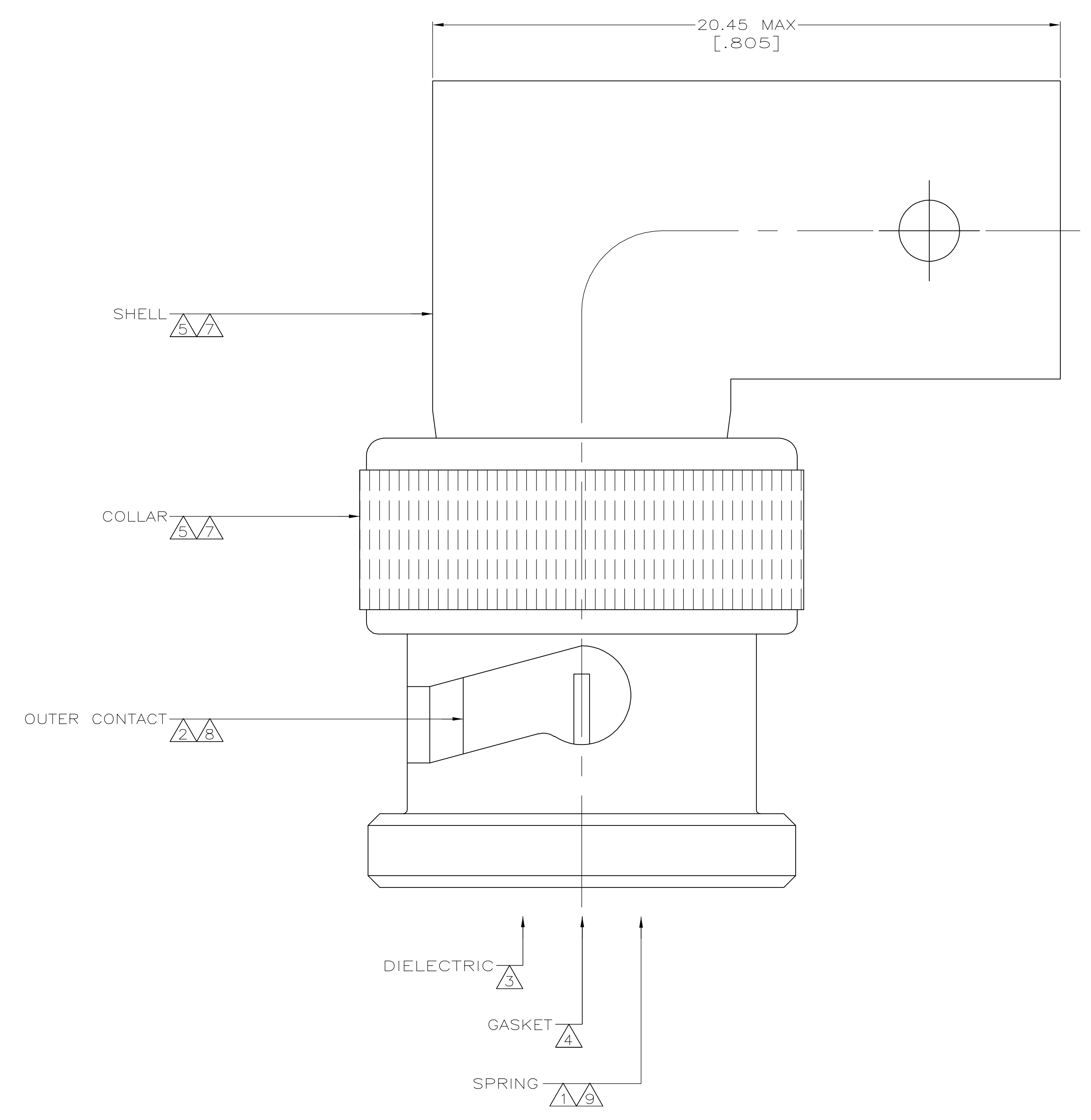


LOC	DIST	REVISIONS			
P	LTR	DESCRIPTION	DATE	DWN	APVD
AJ	00	K1	REV PER ECO 06-029805	2/6/2007	DW JL

- △ BERYLLIUM COPPER PER ASTM-B-194
- △ BRASS PER ASTM-B-16
- △ PTFE PER MIL-P-19468
- △ SILICONE RUBBER PER ZZ-R-765
- △ ZINC DIE CAST PER ASTM-B-86
- △ GOLD PLATE PER MIL-G-45204, 0.76 μm [.000030] MIN THICKNESS
- △ NICKEL PLATE PER QQ-N-290, 1.27 μm [.000050] MIN THICKNESS
- △ NICKEL PLATE PER QQ-N-290, 2.54 μm [.000100] MIN THICKNESS
- △ TIN PLATE PER ASTM-B-545, 2.54 μm [.000100] MIN THICK.



SUPERCEDED BY	9-222165-0
OBSOLETE	9-222165-0
	222165-2
OBSOLETE	222165-1

PART NUMBER

THIS DRAWING IS A CONTROLLED DOCUMENT.		DWN MICHAEL E. COWHER 17AUG95	15AUG95	 Tyco Electronics Corporation Harrisburg, PA 17105-3608																		
DIMENSIONS: mm [INCHES]		CHK MICHAEL J. PHILLIPS 17AUG95	17AUG95																			
TOLERANCES UNLESS OTHERWISE SPECIFIED:		APVD MICHAEL J. PHILLIPS 15AUG95	15AUG95	NAME PLUG-JACK ADAPTER, RIGHT ANGLE, BNC																		
<table border="1"> <tr><td>0 PLC</td><td>±</td><td>-</td></tr> <tr><td>1 PLC</td><td>±</td><td>-</td></tr> <tr><td>2 PLC</td><td>±</td><td>-</td></tr> <tr><td>3 PLC</td><td>±</td><td>-</td></tr> <tr><td>4 PLC</td><td>±</td><td>-</td></tr> <tr><td>ANGLES</td><td>±</td><td>-</td></tr> </table>		0 PLC	±	-	1 PLC	±	-	2 PLC	±	-	3 PLC	±	-	4 PLC	±	-	ANGLES	±	-	APPLICATION SPEC		RESTRICTED TO
0 PLC	±	-																				
1 PLC	±	-																				
2 PLC	±	-																				
3 PLC	±	-																				
4 PLC	±	-																				
ANGLES	±	-																				
MATERIAL SEE NOTES		WEIGHT		SIZE A1																		
FINISH SEE NOTES		DRAWING NO 00779		SCALE 10:1																		
CUSTOMER DRAWING		C=222165		SHEET 1 OF 1																		
		REV K1																				